

acrobatTM

LED Downlight



A balance of function and form



KEY FEATURES

- Acrobat™ LED module and trim installed after ceiling is complete.
- Very precise 45° of adjustment.
- Knife-edge trims are architecturally driven. Precise fit between trim opening and optic dimension. Cannot see internal components of downlight from below ceiling.
- Shallow plenum downlights at 2 1/2" with 45° adjustable beam option.
- Accepts two media options.
- Warm dim and tunable white options available along with wall wash.

Commercial/Residential
New Construction/Remodel

Project Applications:

Corridors
Conference Rooms
Offices
Lobbies
Kitchens
Balconies
Bathrooms
Bedrooms



Acrobat™ 3" with round trimless option shown

Acrobat™ Light Engine
Installs after painting. Removable for servicing

Optic Holder
Field changeable optics



Optics
Spot, Narrow Flood, Flood, and Wide Flood



Media
Additional light control or diffusion



Media Holder
Accepts up to two media

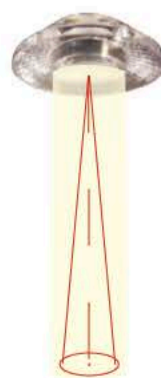


Balancing Act

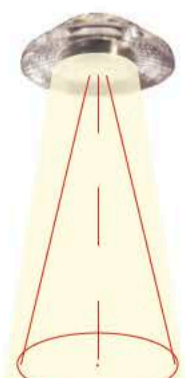
Our Acrobat™ family of 1", 2", 3", and 4" LED downlights are the perfect balance of function and form. The extruded aluminum heat sink minimizes LED temperatures for longer service life. Quality optics are available in four different beam spreads: spot, narrow, flood, and wide flood. Optional lenses and accessories give you added control or diffusion. All are field interchangeable.

Acrobat™ offers precise, effortless hot aiming from below the ceiling — up to 15° tilt for 1" Acrobat™, up to 35° tilt for 2" Acrobat™, or up to 40° tilt for 3" and 4" Acrobat™.

Optics available:



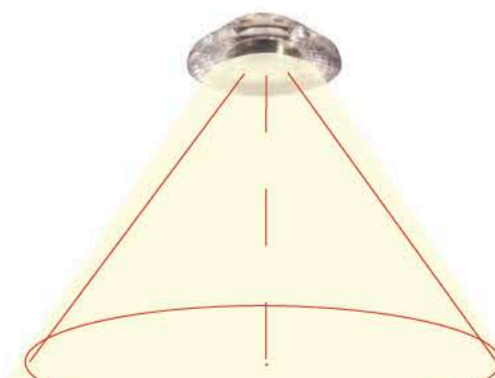
10°



30°



50°



80°

Flexibility

The CSL Acrobat™ family gives you a variety of options. 1", 2", 3", or 4" Acrobat™ LED Downlights are offered in round and square apertures that perform as downlight, adjustable, baffle, pinhole, and wall wash trim types. Options include warm dimming and color tune. Acrobat™ is the perfect LED downlight choice for your new or remodel housing projects.



Aperture Size	1"	2"	3"	4"
Max. Lumens Delivered	1163lm	1406lm	1907lm	2696lm
Max. Wattage Option	15W	20W	25W	35W
Adjustability	tilt up to 15° pan 360°	tilt up to 35° pan 360°	tilt up to 40° pan 360°	tilt up to 40° pan 360°
Four Optical Distributions 10°, 30°, 50°, 80°	•	•	•	•
IC Air Tight IC/Chicago Plenum	•	•	•	•
Non-IC New Construction	•	•	•	•
Shallow Housing	•	•	tilt up to 45° pan ∞	tilt up to 45° pan ∞
Remodel Housing	•	•	•	•
Downlight	•	•	•	•
Baffle Downlight	•	•	•	•
Pinhole Downlight	•	•	•	•
Adjustable Accent	•	•	•	•
Adjustable Baffle	•	•	•	•
Adjustable Slot Pinhole	•	•	•	•
Wall Wash	•	•	•	•
1800K-3000K Warm Dim Option	•	•	•	•
Color Tune	•	•	•	•
Wood Ceiling Option	•	•	•	•
Trimless Option	•	•	•	•
Best for:	clean, modern, minimalist ceilings	accents with higher lumen packages	general uniform lighting	large spaces with high ceilings



Specification Grade

Die cast and stamped steel construction along with extruded heatsinks with optimized thermal management for exceptional durability and long service life are just some of the advantages of Acrobat™ LED downlights.

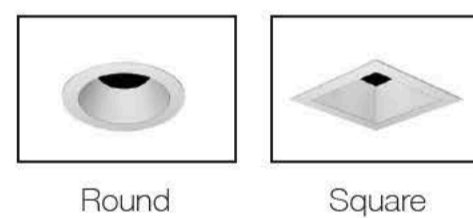
- ✓ Field replaceable LED light engines are available in 2700K, 3000K, 3500K, or 4000K at 90 CRI with 2 SDCM binning.
- ✓ Field replaceable optics available in spot, narrow flood, flood, or wide flood.
- ✓ Multiple dimming driver options.
- ✓ Title 24 and JA8 listed.
- ✓ Quality cast aluminum trims.
- ✓ Emergency power battery backup option available.



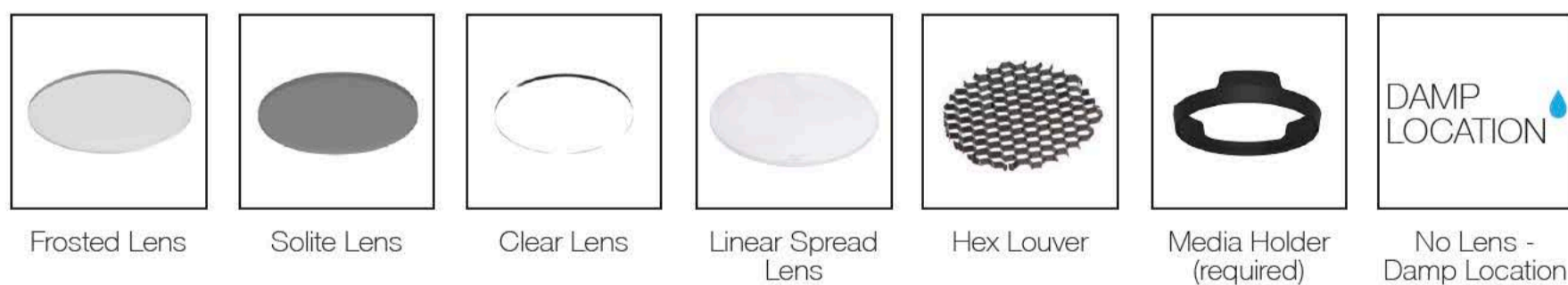
STANDARD FINISHES



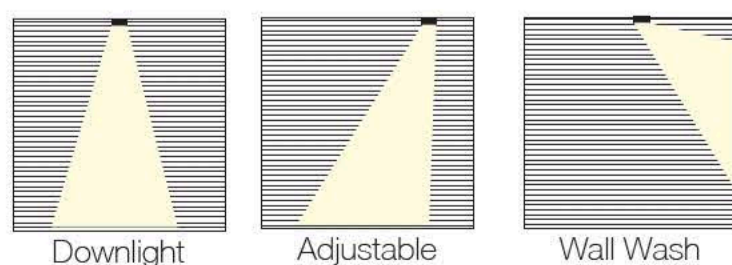
ALL TRIMS AVAILABLE IN



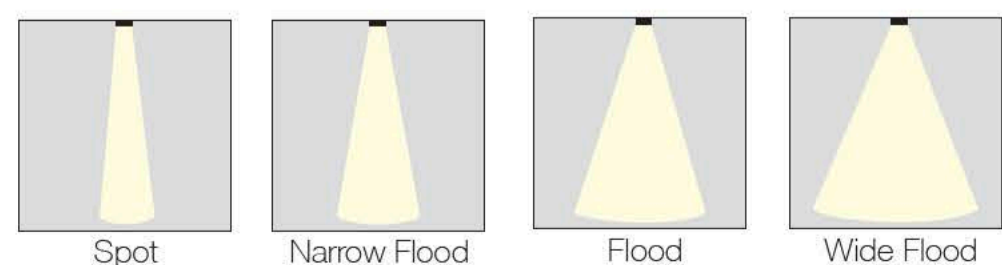
OPTIONAL LENSES & ACCESSORIES



LIGHTING APPLICATIONS



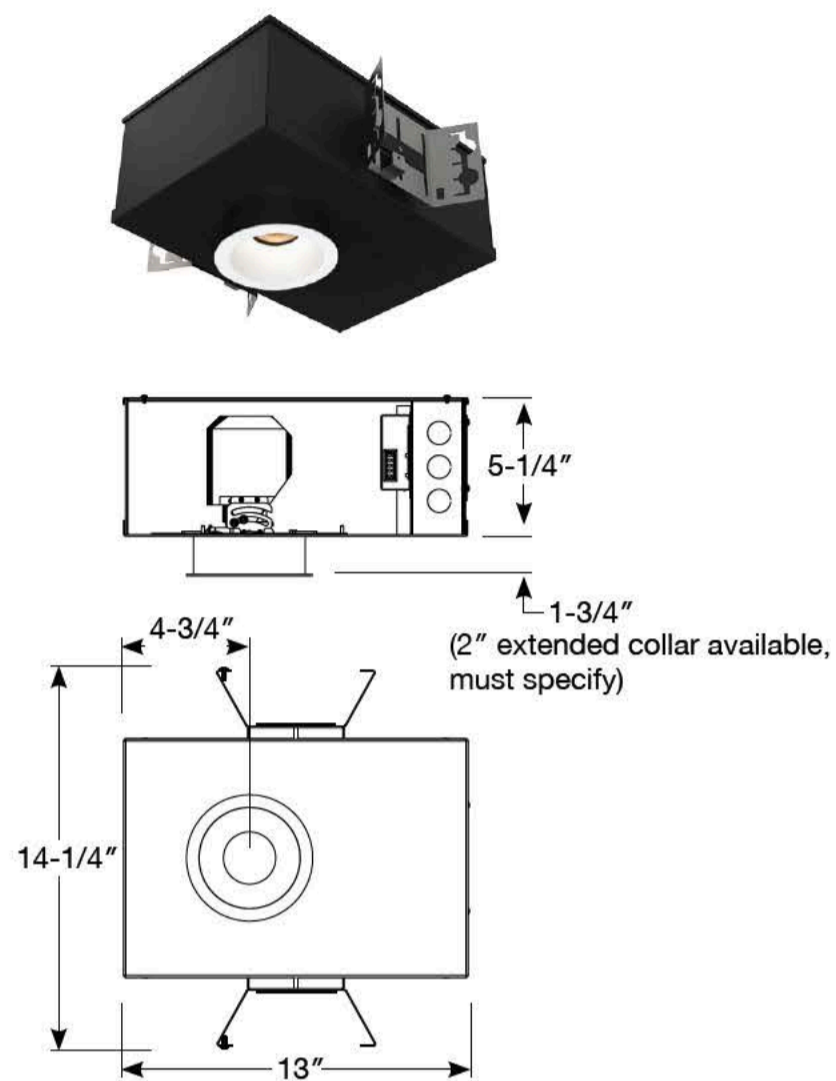
BEAM SPREADS



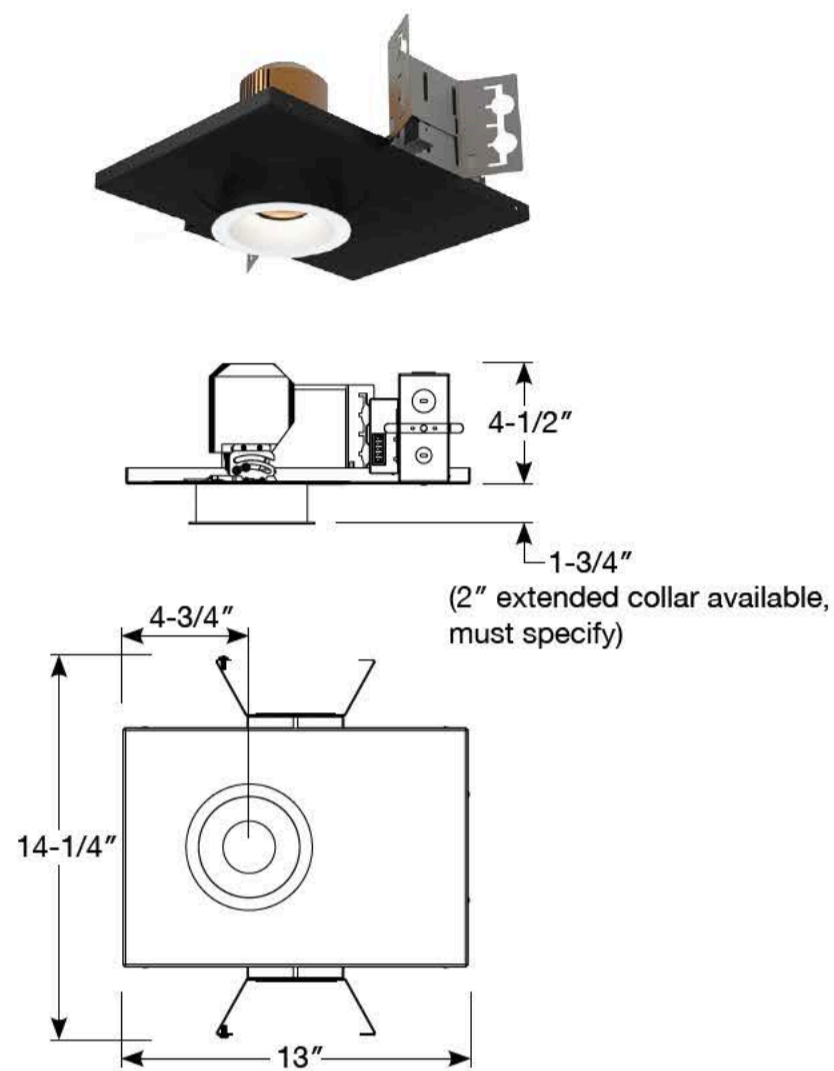
Housings

All examples show 3" Acrobat™ LED downlight with round trim.

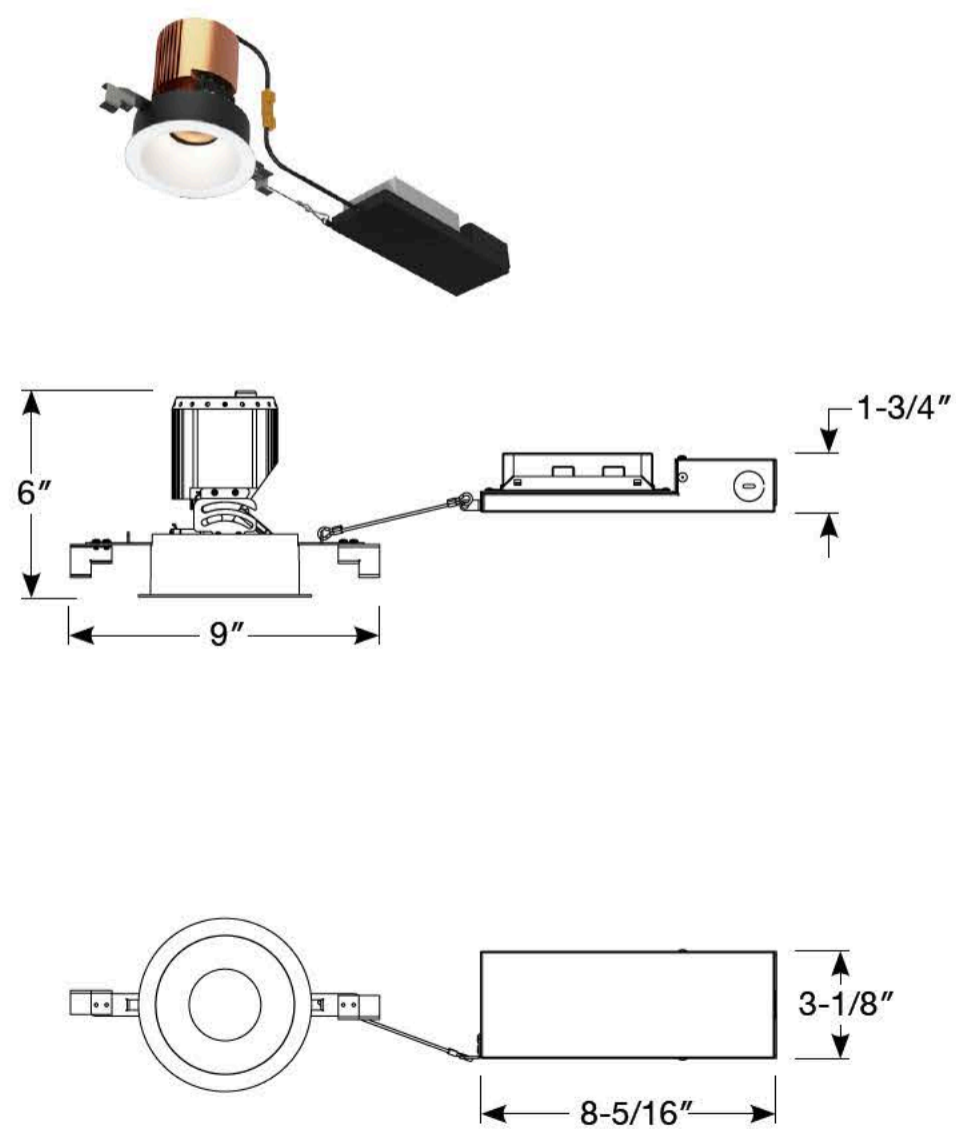
IC/CCEA New Construction



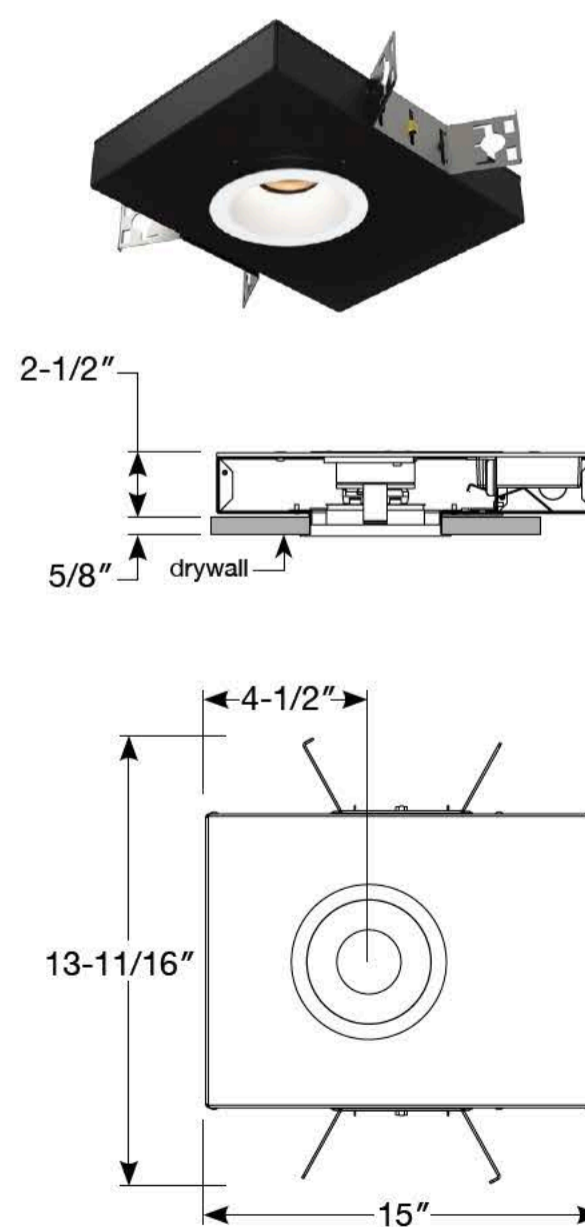
Non-IC New Construction



Remodel



IC/CCEA Shallow New Construction





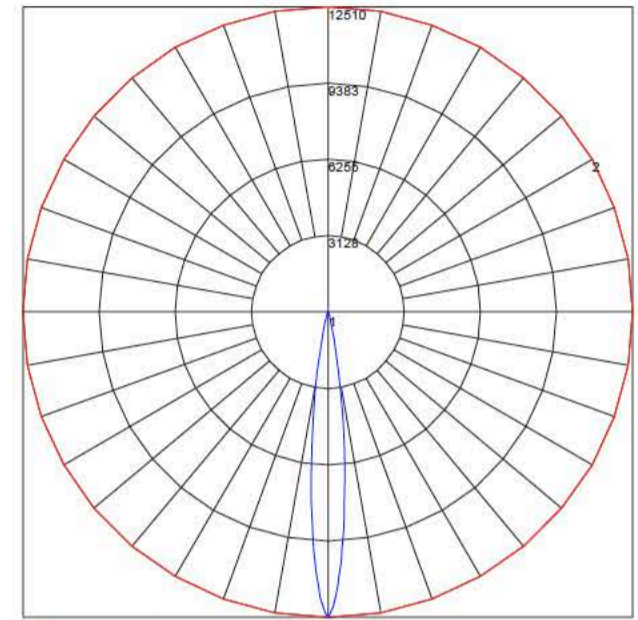
Photometrics

Acrobat™ 2" / 3000K / 20W / Round Trim Fixture / Optic 10°

Model #: A2-1R-WH-0
 Report #: L101806101
 Delivered Lumens: 849
 Input Watts: 19.63W
 Efficacy: 43
 Power Factor: 0.9857
 Total Harmonic Distortion: 12.6%
 CCT: 2921
 CRI: 91.70
 Max Candela: 12,510 @ 0° from Vertical
 Spacing Criterion (0-180): 0.22
 Spacing Criterion (90-270): 0.22
 Spacing Criterion (diagonal): 0.24

R Values

R1	91.60
R2	94.61
R3	96.40
R4	92.37
R5	91.19
R6	93.45
R7	92.62
R8	81.46
R9	57.52
R10	86.65
R11	92.74
R12	78.88
R13	92.23
R14	97.22
R15	87.77



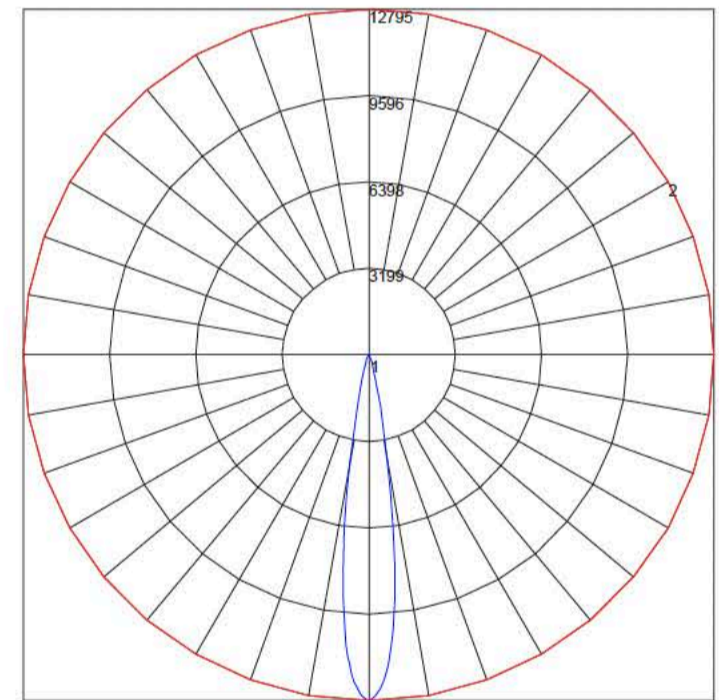
Maximum Candela = 12510 Located At Horizontal Angle = 0, Vertical Angle = 0
 # 1 - Vertical Plane Through Horizontal Angles (0 - 180) (Through Max. Cd.)
 # 2 - Horizontal Cone Through Vertical Angle (0) (Through Max. Cd.)

Acrobat™ 3" / 3000K / 25W / Round Trim Fixture / Optic 10°

Model #: A3-1R-WH-0
 Report #: L101806103
 Delivered Lumens: 1247
 Input Watts: 25.71W
 Efficacy: 48
 Power Factor: 0.9914
 Total Harmonic Distortion: 8.8%
 CCT: 2996
 CRI: 93.70
 Max Candela: 12,795 @ 0° from Vertical
 Spacing Criterion (0-180): 0.28
 Spacing Criterion (90-270): 0.28
 Spacing Criterion (diagonal): 0.28

R Values

R1	94.04
R2	97.75
R3	98.97
R4	93.19
R5	93.88
R6	97.07
R7	91.94
R8	83.12
R9	63.66
R10	93.62
R11	93.97
R12	83.23
R13	95.22
R14	99.23
R15	90.28



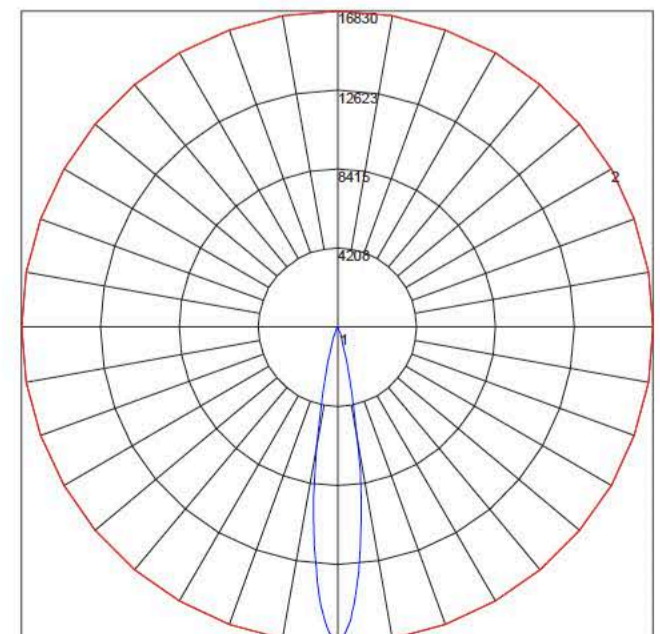
Maximum Candela = 12795 Located At Horizontal Angle = 0, Vertical Angle = 0
 # 1 - Vertical Plane Through Horizontal Angles (0 - 180) (Through Max. Cd.)
 # 2 - Horizontal Cone Through Vertical Angle (0) (Through Max. Cd.)

Acrobat™ 4" / 3000K / 35W / Round Trim Fixture / Optic 10°

Model #: A4-1R-WH-0
 Report #: L101806105
 Delivered Lumens: 1865
 Input Watts: 38.36W
 Efficacy: 49
 Power Factor: 0.9905
 Total Harmonic Distortion: 13.2%
 CCT: 2971
 CRI: 92.8
 Max Candela: 16,830 @ 0° from Vertical
 Spacing Criterion (0-180): 0.30
 Spacing Criterion (90-270): 0.30
 Spacing Criterion (diagonal): 0.30

R Values

R1	92.75
R2	96.52
R3	98.64
R4	92.51
R5	92.57
R6	95.97
R7	91.84
R8	81.55
R9	59.31
R10	90.92
R11	93.06
R12	81.85
R13	93.81
R14	98.68
R15	88.78



Maximum Candela = 16830 Located At Horizontal Angle = 0, Vertical Angle = 0
 # 1 - Vertical Plane Through Horizontal Angles (0 - 180) (Through Max. Cd.)
 # 2 - Horizontal Cone Through Vertical Angle (0) (Through Max. Cd.)



WET LOCATION 

WARM DIM 

CCEA APPROVED

5 YEAR LIMITED WARRANTY

JA8 TITLE 24 COMPLIANT



Acrobat™ family of products are designed and built exclusively by CSL in the USA.

A Division of Troy-CSL Lighting, Inc.

14508 Nelson Avenue
City of Industry, CA 91744
P: 626.336.4511 • F: 626.330.4266

www.csllighting.com



782042263819
C-CACR02-19

Copyright ©2019 Troy-CSL Lighting, Inc.

